

# MAGAZINE HANDLING MOCART

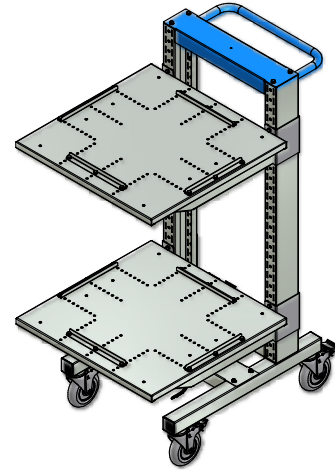
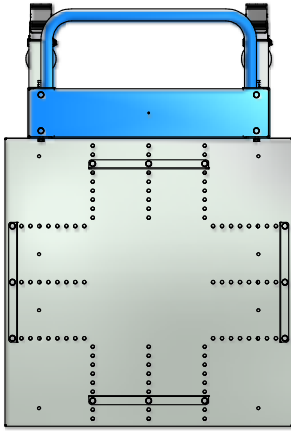
*SMART HANDLING SOLUTIONS*



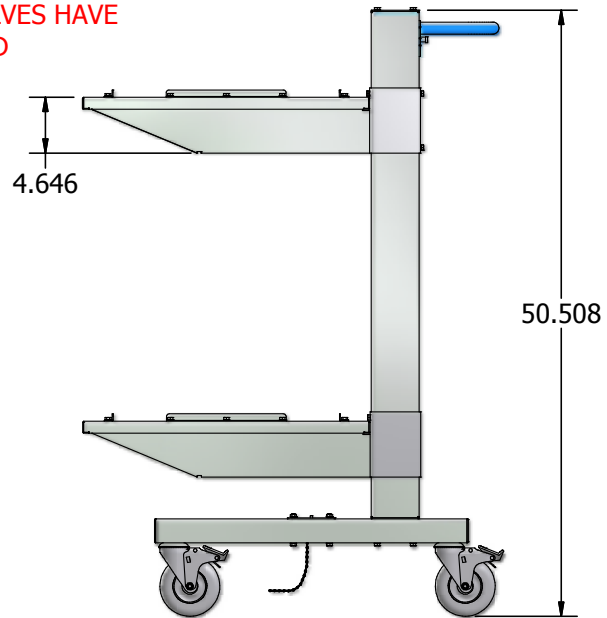
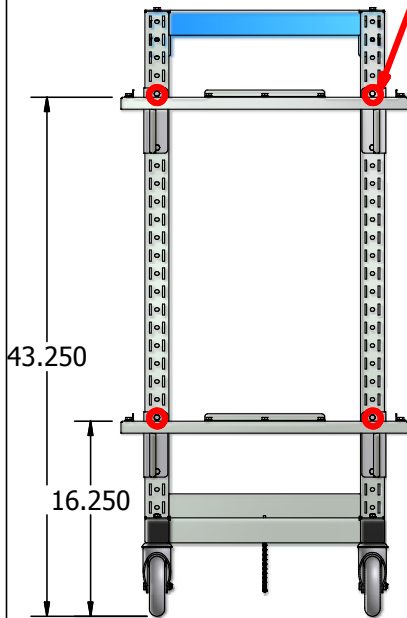
**J&A Industries, Inc.**  
Bliss A Subsidiary Company  **BLISS<sup>®</sup>**  
INDUSTRIES, INC.  
408-945-8401

# MAGAZINE HANDLING MOCART

REV.	CHANGES DESCRIPTION	DATE
A	CUSTOMER DRAWING	09/21/11
B	ADDED MAGAZINES AND DIMENSIONS	09/22/11
C	ADDED PUSH BAR	09/22/11
D	SHELF SUPPORT BRACKETS 1.5" SHORTER	10/21/11
E	REINFORCED SHELVES	11/15/11



INSTALL THESE 4 BOLTS  
LAST AFTER SUPPORT  
ARMS AND SHELVES HAVE  
BEEN INSTALLED



**J&A Industries, Inc.**  
Bliss A Subsidiary Company 

## Features:

- Prevent damage from mishandling
- Drag chain for ESD protection
- The shelves are adjustable
- 4-Sided stop bar
- Custom sizes and features available