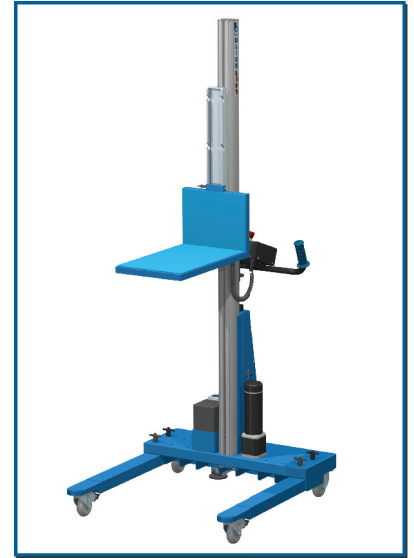
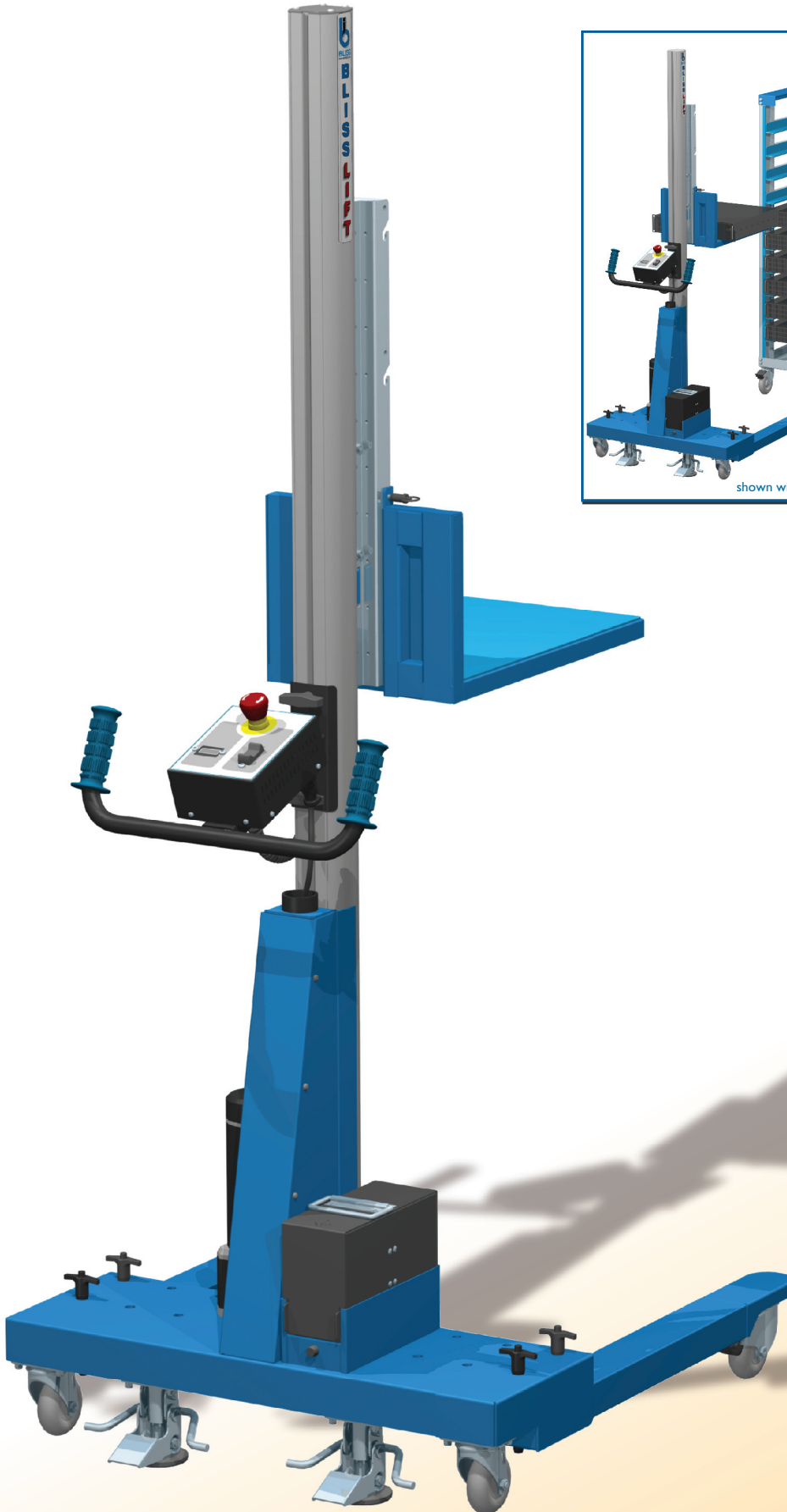


BLISSLIFT

EASILY LIFTS CHASSIS, TEST FIXTURES AND PCB'S

SMART HANDLING SOLUTIONS



BLISSLIFT

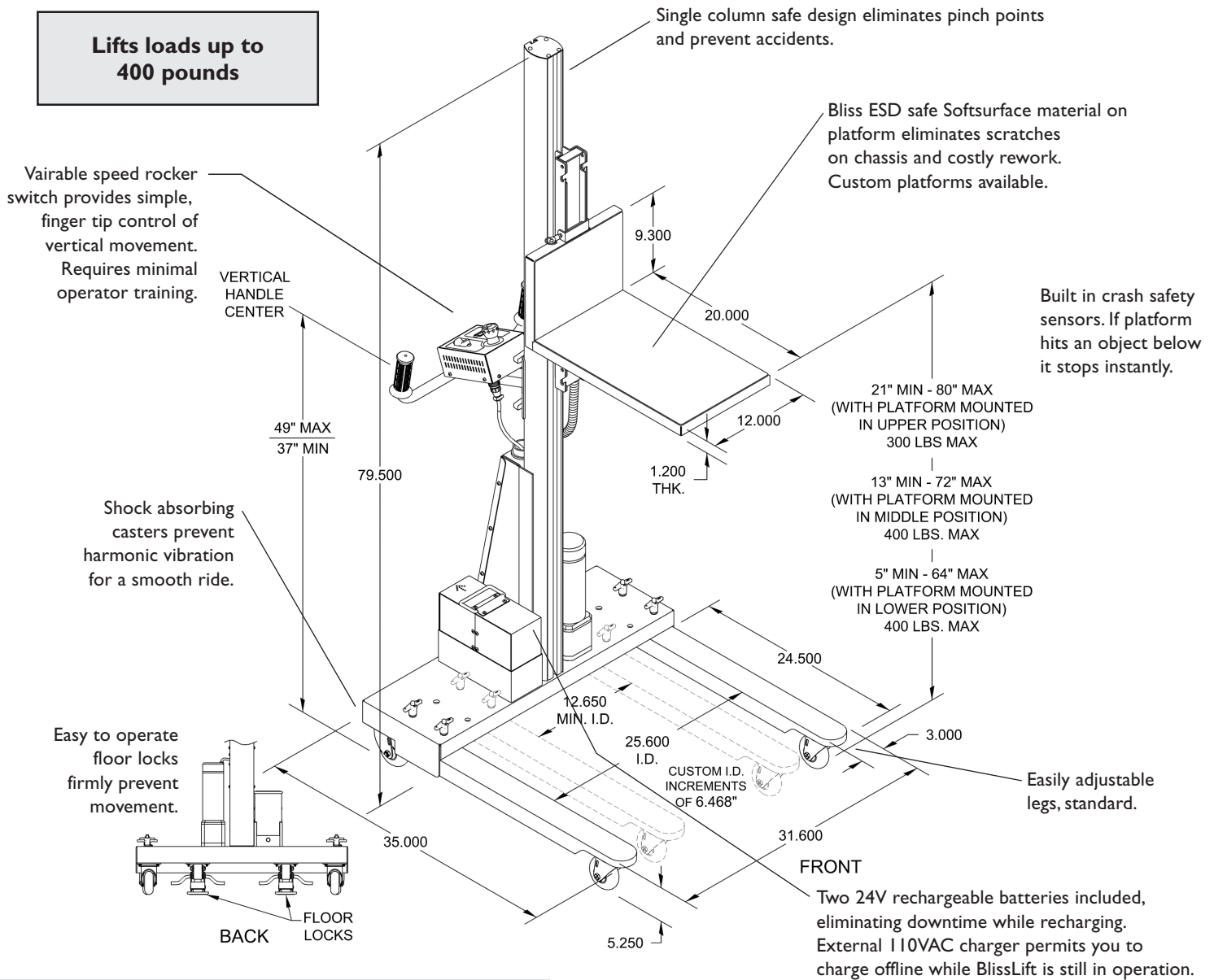
ELIMINATES DAMAGE TO CHASSIS, PCB'S, AND TEST FIXTURES

Ergonomically designed and simple to use

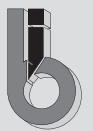
FEATURES

- Finger tip variable speed rocker switch controls vertical speed and positions, eliminating trial and error. No more smashed components and damaged chassis.
- Easily maneuverable design increases operator speed and productivity.
- ESD safe design.
- Custom platforms available to optimize your productivity.
- Heavy duty construction with painted finish stands up to factory abuse yet easy to maneuver. BlissLift is designed to provide years of flawless operation in tough industrial settings.

Lifts loads up to
400 pounds



A Step Towards Lean Manufacturing
Complete details and catalog online



BLISS
INDUSTRIES, INC.

386 Railroad Ct.
Milpitas, CA 95035

Phone: 408-945-8401 • Fax: 408-945-1914
sales@blissindustries.com • www.blissindustries.com

The new BlissLift can double the speed of repetitive load/unload tasks saving you time and money. Perfect for loading chassis onto storage carts and racks. Simple-to-use controls help prevent dents and scratches during product movement. Enhances worker safety reducing back injuries. Ask about Bliss heavy duty chassis carts.