

PC BOARD HANDLING TRAY CARTS

PROTECTS AND REDUCES DEFECTS

SMART HANDLING SOLUTIONS



PC BOARD HANDLING TRAY CARTS

PERFECT FOR LEAN MANUFACTURING

FEATURES

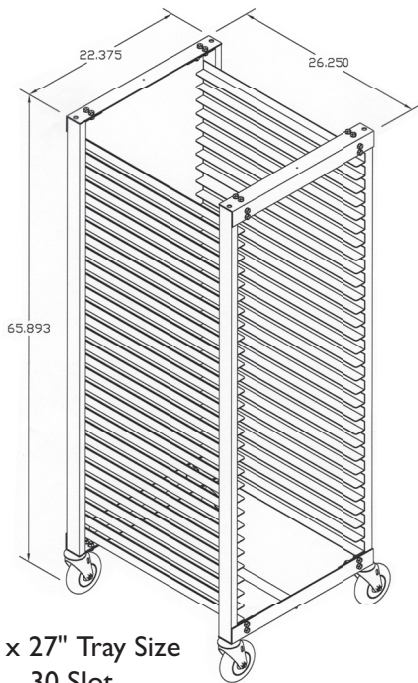
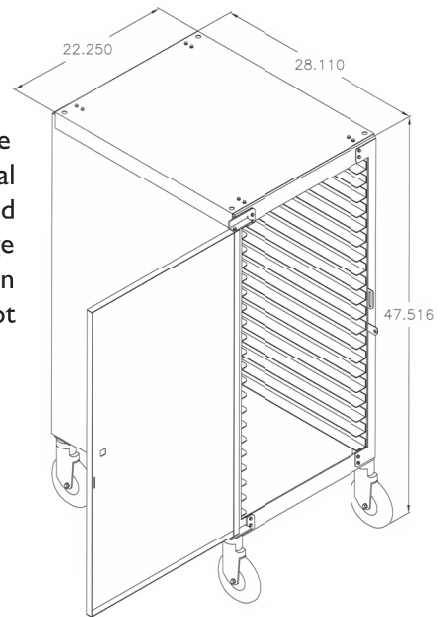
- Prevents damage from mishandling and ESD
- Drag chain for ESD protection
- Provides uniform support to PCB
- Shock absorbing casters prevent harmonic vibrations which dislodge components
- Flexible storage accommodates various sizes of PCBs within the tray

Custom sizes and features available

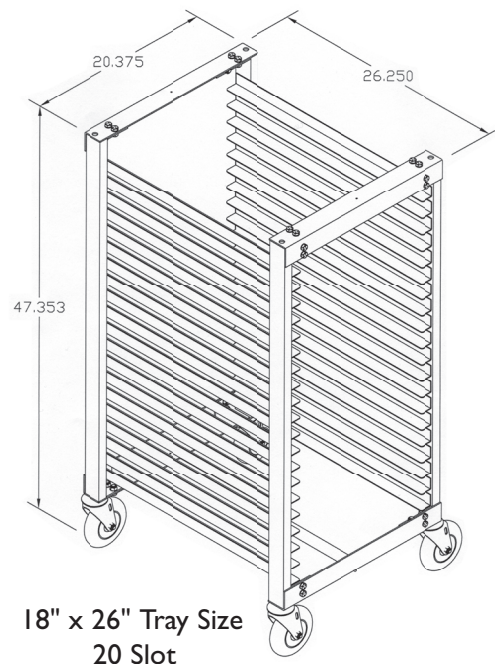
See all the options and accessories online

www.blissindustries.com

18" x 26" Tray Size
with optional
enclosed
Faraday cage
protection
20 slot



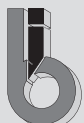
20" x 27" Tray Size
30 Slot



18" x 26" Tray Size
20 Slot

Bliss tray carts are designed to store and transport PC boards and other sensitive electronic assembly tools and components. PC boards can be removed from the production line and placed in trays with Bliss die-cut static dissipative foam mats for complete physical and ESD protection. The carts can transport PC boards to and from board loaders, reflow ovens, manual board stuffing stations, and wave solder machines. The protection the carts provide by handling trays, not the PC boards, reduces the need for packaging, plastic bags, and tote boxes.

A Step Towards Lean Manufacturing
Complete details and catalog online



BLISS
INDUSTRIES, INC.

386 Railroad Ct.
Milpitas, CA 95035

Phone: 408-945-8401 • Fax: 408-945-1914

sales@blissindustries.com • www.blissindustries.com

The rigid flat trays provide uniform support and prevent micro fractures in solder joints of BGA's and board circuit caused when the boards flex. By individually spacing the trays in the carts, taller components can be easily accommodated. Assembly tray carts can be setup as kit, kanban or job carts. An optional locking arm keeps the trays securely in place during transport. Standard models hold either 15, 20, or 30 trays; which means a cart with a footprint of four square feet can provide up to eighty square feet of storage space. Custom sizes available for your exact requirements.